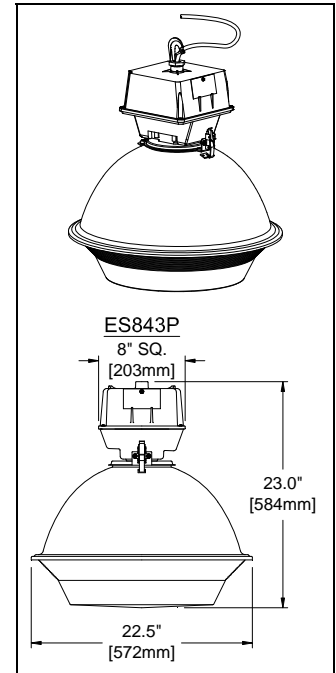


**CSA Approved for Damp Locations
Wet Locations Optional**
Maximum Ambient 40°C

Available in 250 to 400W Pulse Start Metal Halide and High Pressure Sodium

SPECIFICATIONS:

- Microprocessor-controlled electronic HID ballast designed for up to 40° C ambient temperatures; -30°C starting temperature.
- Protections: ballast output short circuit, ballast output open circuit, ignition failure, thermal, end of lamp life. Built in thermal protection dims the lamp when ballast case temperature (Tc) reaches maximum and shuts down the lamp if Tc exceeds the factory pre-set maximum; ballast will automatically ignite the lamp when the ballast cools down.
- Line regulation better than +/-0.5% for +/-10% change in line voltage; maintains essentially constant output wattage throughout lamp life; lumen maintenance >90% at 30 000 hours of lamp operation.
- Electronic Dimming ballast has integral continuous 50-100% dimming with automatic start to Hi for 15 minutes. Continuous dimming can be implemented by connecting an analog 0 - 10VDC dimmer.
- Electronic Intelligent Dimming ballast utilizes electronic ballast technology to control the light output; dimming level is automatically controlled by the ballast.
- Total Harmonic Distortion <20%; Power factor >0.92
- Hot Restrike for HPS lamps; MH lamps effective life extended by more than 50%
- Ballast housing is constructed of rugged die-cast aluminum which features "Tilt 2" design for maximum heat dissipation, and drip lip construction. Standard finish is Duraplex II™ White Electrostatic Powder coat.
- Injection-molded, U.V. stabilized Acrylic prismatic refractor provides maximum horizontal and vertical illumination resulting in uniform, low glare lighting. Refractor permanently sealed to reflector using RTV silicone, providing enclosed and sealed optics. Also available with optional Polycarbonate lens.
- One-piece spun aluminum reflector, sealed to ballast housing using high temperature silicone gasketing. Access to lamp via "tool box" style draw latch and integral hinge on opposite side. Standard finish is Duraplex II™ High Gloss White Electrostatic Powder coat.
- Porcelain, 4 kV pulse rated, grip-type Mogul based socket prevents lamp loosening.
- Standard mounting with hook and cord or threaded ¼ turn hub for ¾" NPT mount. Available with a Low Profile bracket where the ballast is mounted beside optical assembly for unusual applications. Wall Mount Arm available to allow mounting to virtually any vertical surface.
- Comes with 3 year limited warranty.
- HID luminaires should be operated on grounded systems only. Ungrounded power distribution systems may carry high transient voltages which can cause failure of any type electrical equipment. Use of Canlyte equipment on ungrounded systems will VOID THE WARRANTY.



Electrical ratings:

Lamp Wattage	120V		208V		240V		277V		347V	
	Input Power	Input Current	Input Power	Input Current	Input Power	Input Current	Input Power	Input Current	Input Power	Input Current
250W	269W	2.34A	269W	1.35A	269W	1.17A	269W	1.01A	276W	0.86A
320W	359W	3.05A	344W	1.72A	344W	1.49A	344W	1.29A	354W	1.09A
350W	390W	3.32A	375W	1.88A	375W	1.63A	375W	1.41A	385W	1.21A
400W	441W	3.75A	426W	2.13A	426W	1.85A	426W	1.62A	436W	1.37A

ORDERING GUIDE:

Example: **ES843P400EDPSL-6**

Series	Lamp Wattage ¹	Ballast Type	Light Source	Lamp Included	Options	Voltage	Finish ²
ES843P	250 : 250W	E : Electronic Standard	PS : Pulse Start	L : Yes	3C : 3' Factory wired Cabtire w/715 Open Hook	1 : 120V 2 : 208V 3 : 240V 4 : 277V 6 : 347V	Blank : White B : Black G : Grey
	320 : 320W	ED : Electronic Dimming	Metal Halide	Blank : No	3CP : 3' Factory wired Cabtire w/ 715 Open Hook & 20A Twist-Lock Plug		
	350 : 350W	EQ : Electronic Intelligent Dimming ⁴	S : High Pressure Sodium		EM : Auxiliary Quartz Socket Only ³		
	400 : 400W				FS : Single Line Fusing WL : Wet Location; additional gasketing plus Sealed Hook/Cord or Sealed Threaded Hub Assy. WM : Wall Mount Arm LP : Low Profile Mounting PR : Polycarbonate Lens		

¹ PS (250, 320, 350, 400W); S (250, 400W).

³ Socket is double contact bayonet base 150W max (Lamp not supplied).

² For other housing finishes, consult factory for available colours & colour code.

⁴ Only available in 320W.

PROJECT: _____

TYPE: _____

CATALOGUE NUMBER: _____