

These instructions may not provide directions to cover every variation and detail. To obtain additional information, consult the applicable electrical codes or contact the factory directly for assistance before attempting anything with uncertainty.

**WARNING:** To avoid electrical shock, **TURN POWER SUPPLY OFF** before installing or servicing this unit.

**NOTES:** evoSmart fixture is equipped with a microprocessor-controlled electronic HID ballast. Among other benefits, this new electronic technology features a variety of internal protections: in the event of short circuit, open circuit or output to ground, if the lamp fails to light, at the end of lamp's life.

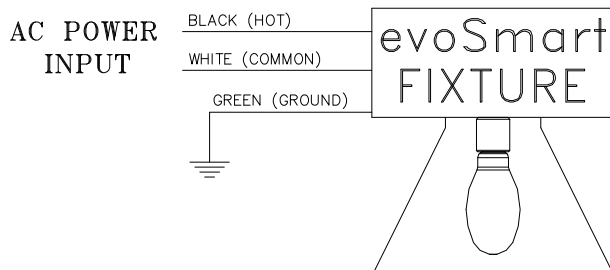
In order to restore normal operation of evoSmart fixture in the event one of these protections is activated, after the condition causing the protection to activate has been eliminated the fixture needs to be reset by turning power off to the unit for at least 10 seconds.

In the event of overheating, evoSmart will gradually reduce its output power to allow the ballast to cool, shutting off entirely if internal temperature exceeds a factory pre-set maximum; ballast will automatically ignite the lamp when the ballast cools down.

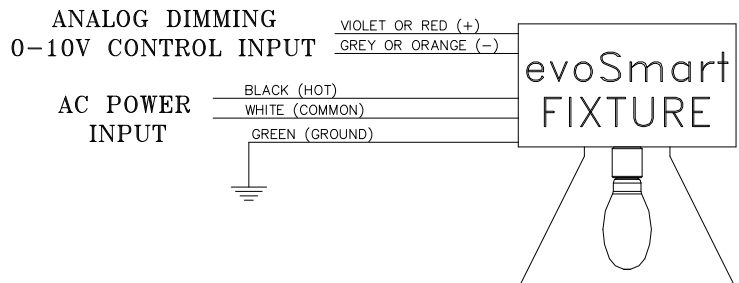
**WIRING INFORMATION:** All wiring should be performed by a qualified electrician.

The following diagrams show typical wiring connection for evoSmart Electronic Standard (E), Electronic Dimming (ED) and Electronic Intelligent Dimming (EQ) Series. Contact factory for assistance if specific wiring information is required. Ensure any unused wires are capped off.

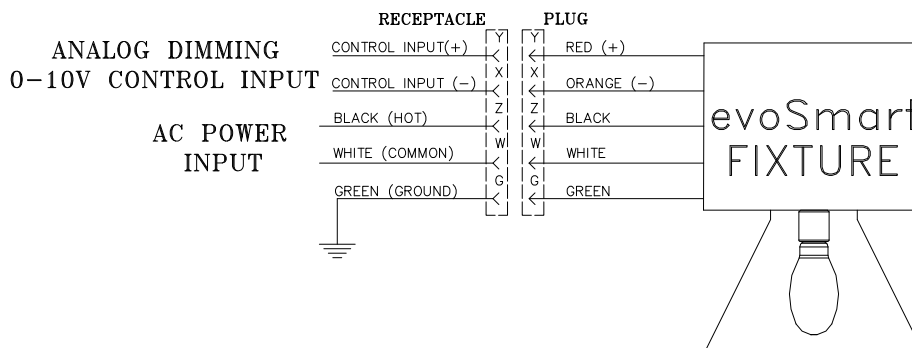
Wiring method A – use for evoSmart E and EQ Series:



Wiring method B – use for evoSmart ED Series:



evoSmart ED Series with optional Twist-lock plug have the following receptacle-plug configuration:



evoSmart Electronic Dimming Series fixtures provide automatic Start to Hi for 15 minutes from power on. Dimming is full range continuous from 100% to 50% lamp power. Dimming level can be controlled thru the use of analog 0-10V DC control systems such as: occupancy sensors, daylight sensors, slide dimmers, switches, timers and other control devices. Fixture is at High (100% output) if 10V DC control signal is present and at Low (50% output) if 0 to 1V DC control signal is present.

evoSmart Electronic Intelligent Dimming Series fixtures utilize electronic ballast technology to control the light output; dimming level is automatically controlled by the ballast.

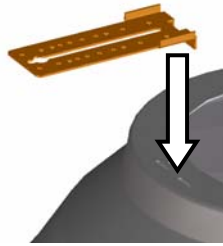
# INSTALLATION INSTRUCTIONS – evoSmart KEENE Hibay (KPP)

File.: 5900528-000 Rev. 0 08-05-09

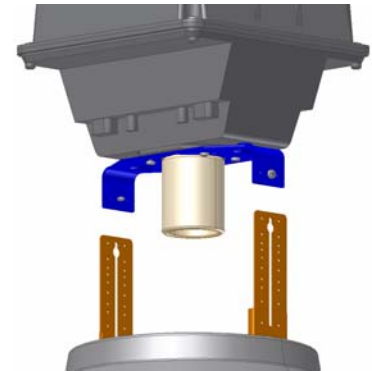
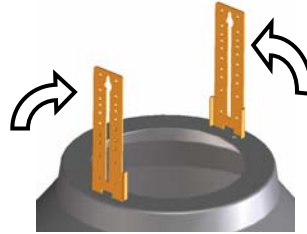
## Installing Hibay Reflector to Ballast Housing:



Install Yoke Bracket\*\* to housing bottom with (4) provided screws provided through keyhole slots



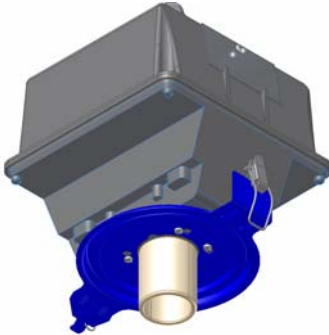
Attach Reflector Straps into slots in reflector as shown and rotate up to lock in position (x2)



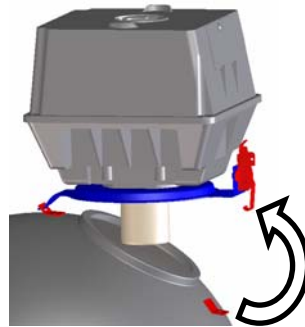
Attach Reflector Straps onto Yoke Bracket with the (2) screws and adjust to desired setting

\*\* Note: some models may have yoke factory installed

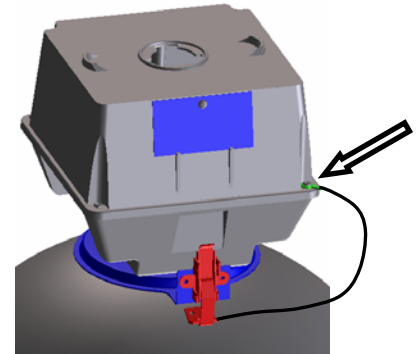
## Installing Lowbay Reflector to Ballast Housing:



Install Adapter Plate\*\* to housing bottom with (4) screws provided



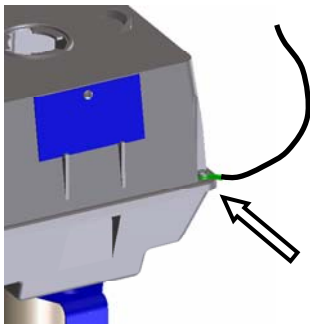
Hinge Reflector assembly onto adapter plate as shown and rotate up to hook onto latch



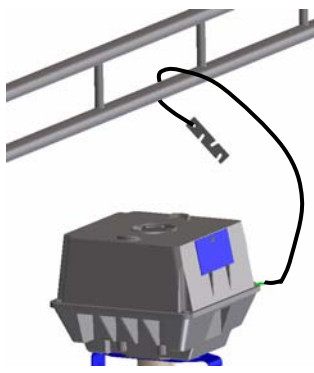
Close & secure latch, and install safety cable provided with reflector under the head of housing screw

\*\* Note: some models may have adapter plate factory installed

## Installing Optional Safety Cable :



Install Safety Cable to ballast housing under the head of the corner screw



Loop opposite end of safety cable around rigid ceiling structure



Feed bracket around steel cable and tighten to eliminate slack

# INSTALLATION INSTRUCTIONS – evoSmart KEENE Hibay (KPP)

File.: 5900528-000 Rev. 0 08-05-09

## Installing Ballast Housing: Pendant Mount

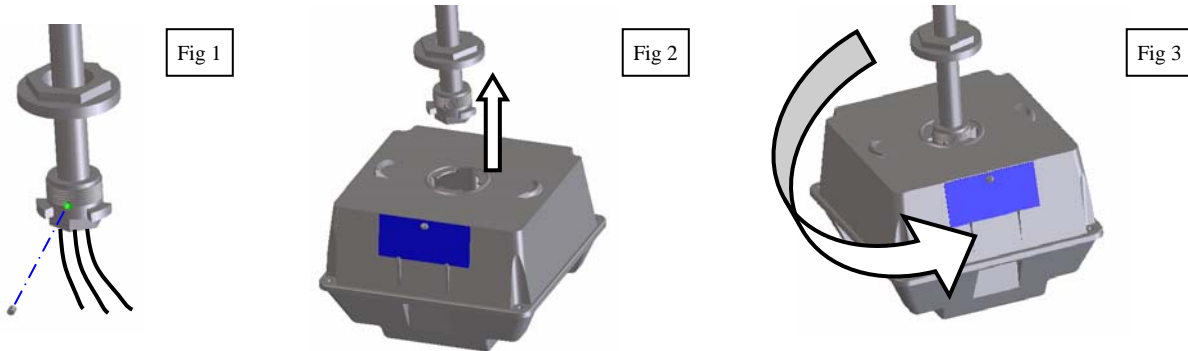


Fig 1. Install locking nut, hanger hub and set screw provided in carton onto conduit.

Fig 2. Lift ballast housing up over hanger hub.

Fig 3. Rotate 60° until seated on hub.



Fig 4. Turn locking nut (hand tight) onto hanger hub to secure ballast housing. Warning: Locking nut must engage threads on hanger hub and be hand tightened to insure fixture is properly seated on hub.

Fig 5. Make necessary wire connections and install wire access plate.

## Installing Ballast Housing: Hook & Cord Mount

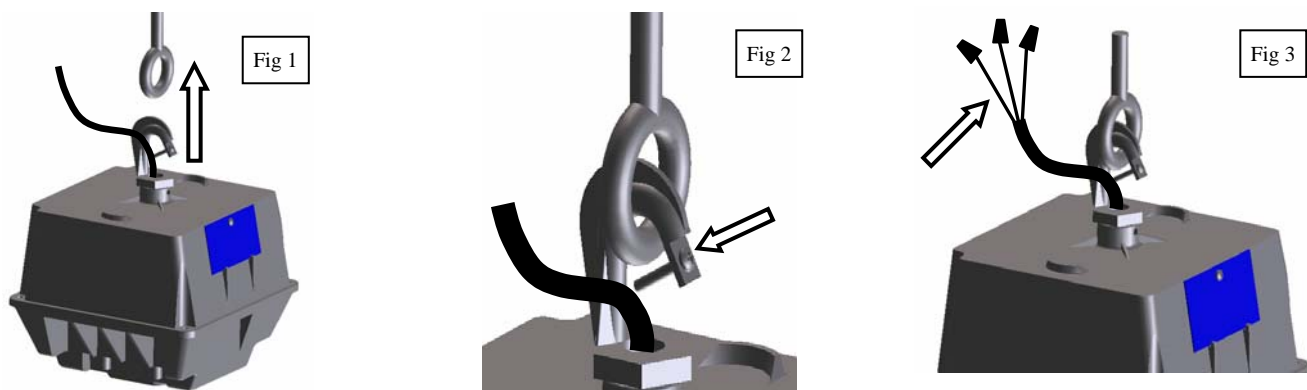


Fig 1. Hang ballast housing by cast hook onto suitable rigid mounting mechanism such as eyebolt or power hook.

Fig 2. Ensure safety screw on hook is securely tightened to prevent accidental removal.

Fig 3. Make electrical connections to power supply in electrical junction box or by securing the (optional) twist lock plug into mating receptacle.

# INSTALLATION INSTRUCTIONS – evoSmart KEENE Hibay (KPP)

File.: 5900528-000 Rev. 0 08-05-09

## evoSmart KEENE HIBAY (KPP) - REFLECTOR STRAP POSITIONING CHART

### evoSmartSOFTBAY SERIES – MEDIUM

			Distribution pattern / Strap Position		
evoSmart Softbay Series	Lamp	Reflector Type	Narrow	Medium	Wide
ESSBM	250HPS COATED	16" ACRYLIC	-	5	2
ESSBM	250PSMH COATED	16" ACRYLIC	-	5	2

### evoSmart SOFTBAY SERIES – LARGE

			Distribution pattern / Strap Position		
evoSmart Softbay Series	Lamp	Reflector Type	Narrow	Medium	Wide
ESSBL	250HPS COATED	22" ACRYLIC	9	5	2
ESSBL	400HPS COATED	22" ACRYLIC	9	5	2
ESSBL	250PSMH COATED	22" ACRYLIC	9	5	2
ESSBL	320PSMH COATED	22" ACRYLIC	9	5	2
ESSBL	350PSMH COATED	22" ACRYLIC	9	5	2
ESSBL	400PSMH COATED	22" ACRYLIC	9	5	2

### evoSmart SOFTBAY SERIES – X-LARGE

				Distribution pattern / Strap Position		
evoSmart Softbay Series	Lamp	Lens type	Reflector Type	Narrow	Medium	Wide
ESSBXL	400PSMH COATED	NONE	25" ACRYLIC	-	2	-
ESSBxls	400PSMH COATED	Symmetrical	25" ACRYLIC	-	3	-
ESSBxLA	400PSMH COATED	Asymmetrical	25" ACRYLIC	-	1	-

### evoSmart VERTIC'AISLE SERIES

evoSmart Vertic'Aisle Series	Lamp	Reflector Type	Strap Position	Spacing Criterion
ES724P	250PSMH COATED	Aluminum Oval 21" x 15.7"	4	2.1
ES724P	320PSMH COATED	Aluminum Oval 21" x 15.7"	8	2.1
ES724P	350PSMH COATED	Aluminum Oval 21" x 15.7"	8	2.1
ES724P	400PSMH COATED	Aluminum Oval 21" x 15.7"	8	2.1
ES724P	250HPS COATED	Aluminum Oval 21" x 15.7"	6	1.9
ES724P	400HPS COATED	Aluminum Oval 21" x 15.7"	6	1.9

### evoSmart PERFORMER SERIES

evoSmart Performer Series	Lamp	Lens Type	Reflector Type	Reflector Distribution	Strap Position
ES981P250EPS, ES981P250EDPS	250PSMH CLEAR	OPEN	981	(N)arrow	4
ES982P250EPS, ES982P250EDPS	250PSMH CLEAR	OPEN	982	(M)edium	1
ES983P250EPS, ES983P250EDPS	250PSMH CLEAR	OPEN	983	(W)ide	1
ES984P250EPS, ES984P250EDPS	250PSMH CLEAR	OPEN	984	(V)ery Wide	1
981P320EPS, 981P320EDPS, 981P320EQPS	320PSMH CLEAR	OPEN	981	(N)arrow	8
982P320EPS, 982P320EDPS, 982P320EQPS	320PSMH CLEAR	OPEN	982	(M)edium	7
983P320EPS, 983P320EDPS, 983P320EQPS	320PSMH CLEAR	OPEN	983	(W)ide	5
984P320EPS, 984P320EDPS, 984P320EQPS	320PSMH CLEAR	OPEN	984	(V)ery Wide	4
ES981P350EPS, ES981P350EDPS	350PSMH CLEAR	OPEN	981	(N)arrow	8
ES982P350EPS, ES982P350EDPS	350PSMH CLEAR	OPEN	982	(M)edium	7
ES983P350EPS, ES983P350EDPS	350PSMH CLEAR	OPEN	983	(W)ide	5
ES984P350EPS, ES984P350EDPS	350PSMH CLEAR	OPEN	984	(V)ery Wide	4
ES981P400EPS, ES981P400EDPS	400PSMH CLEAR	OPEN	981	(N)arrow	8
ES982P400EPS, ES982P400EDPS	400PSMH CLEAR	OPEN	982	(M)edium	7
ES983P400EPS, ES983P400EDPS	400PSMH CLEAR	OPEN	983	(W)ide	5
ES984P400EPS, ES984P400EDPS	400PSMH CLEAR	OPEN	984	(V)ery Wide	4
ES981P250ES, ES981P250EDS	250HPS CLEAR	OPEN	981	(N)arrow	6
ES982P250ES, ES982P250EDS	250HPS CLEAR	OPEN	982	(M)edium	3
ES983P250ES, ES983P250EDS	250HPS CLEAR	OPEN	983	(W)ide	1
ES984P250ES, ES984P250EDS	250HPS CLEAR	OPEN	984	(V)ery Wide	1
ES981P400ES, ES981P400EDS	400HPS CLEAR	OPEN	981	(N)arrow	6
ES982P400ES, ES982P400EDS	400HPS CLEAR	OPEN	982	(M)edium	3
ES983P400ES, ES983P400EDS	400HPS CLEAR	OPEN	983	(W)ide	1
ES984P400ES, ES984P400EDS	400HPS CLEAR	OPEN	984	(V)ery Wide	1